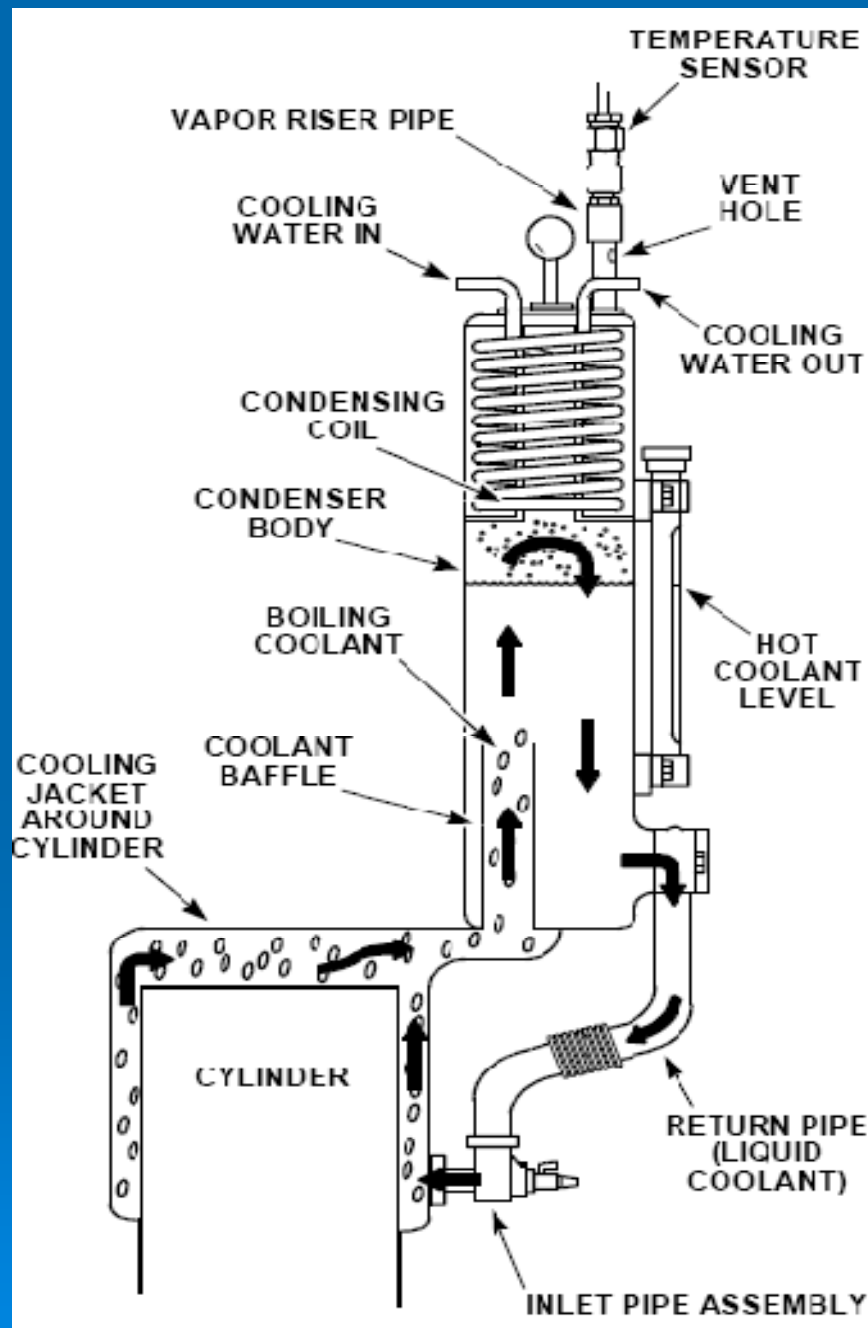


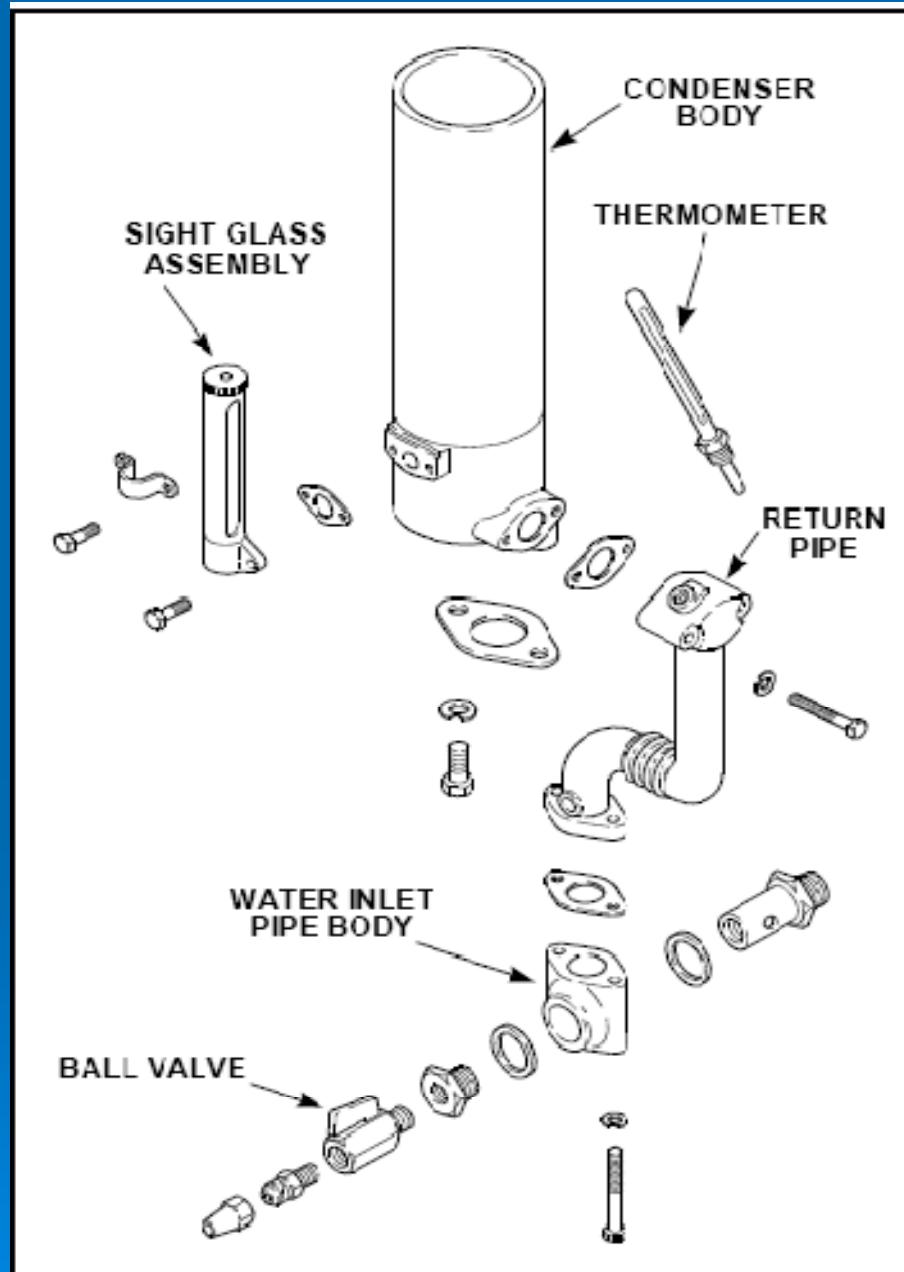
Keep it Cool



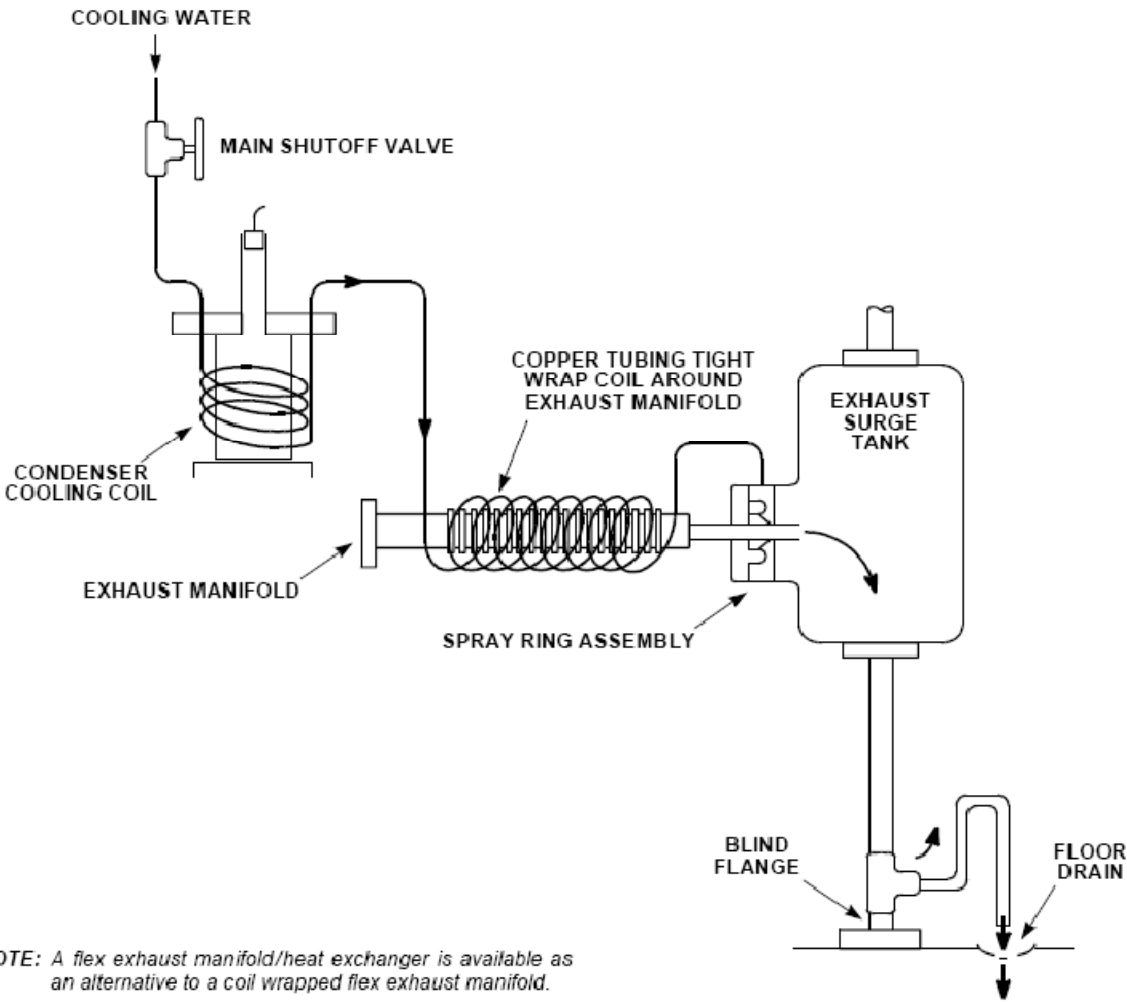
CFR F1/F2 Cooling System



Condenser Assembly



Coolant Circulation



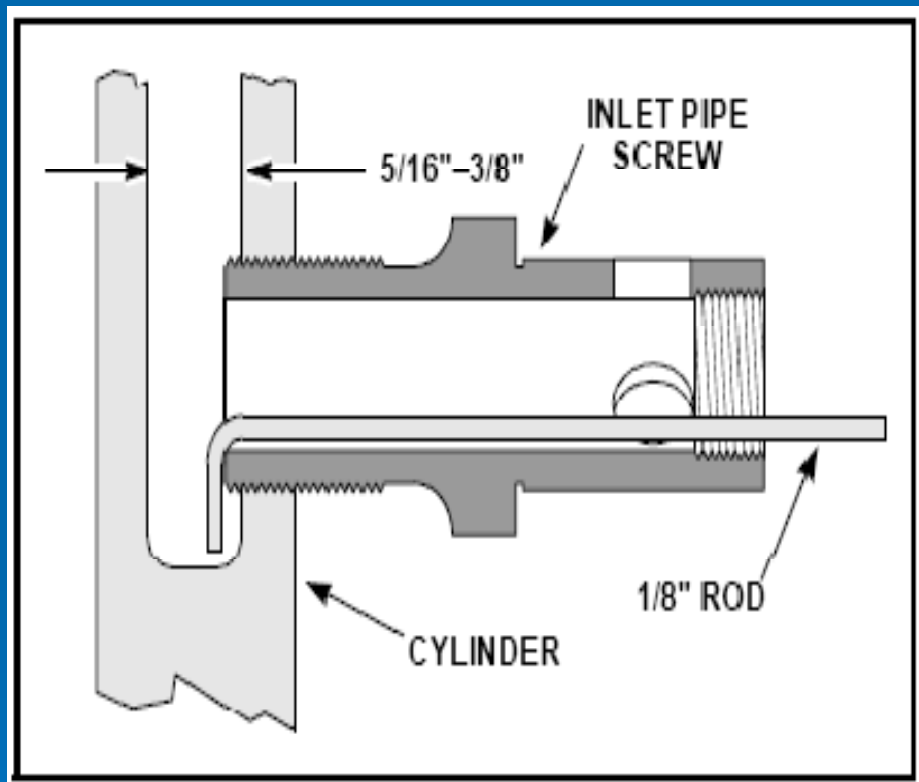
Coolant System Specifications

- Water Supply and Discharge lines 3/8 OD
- Flow Rate 1.5 Gallons per Minute
- Water inlet temperature not to exceed 75 Deg F
- Cylinder Coolant 212 Deg F +/- 3 Deg
- Coolant level 1/2 inch from the level hot mark on body

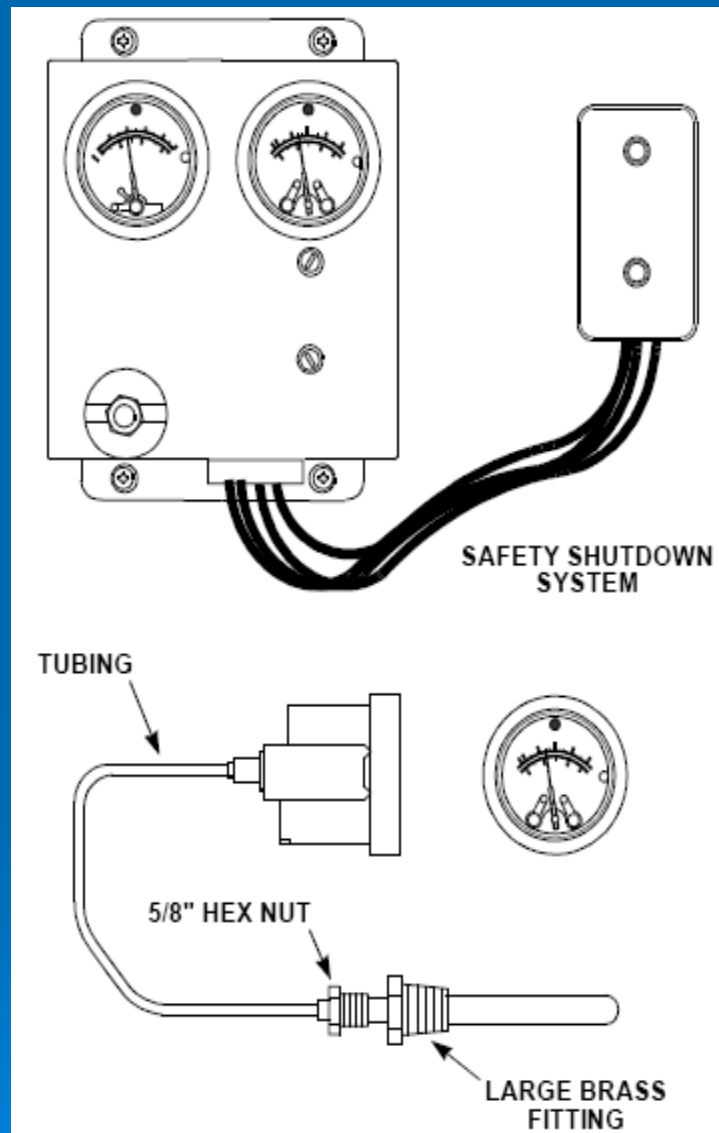
Cleaning and inspecting Coolant system

- Cleaning Cylinder Jacket and Condenser
- Inspecting Components
- Replace all Gaskets
- Cleaning Sight Glass Assembly
- Complete Every Top End Overhaul

Pipe Screw to Cylinder Wall Clearance



Cooling Safety Shutdown System



Maintaining Cooling System

- Check Coolant Level
- Use Distilled Water
- Use Commercial Water Treatment
- Check for Leaks

Thank You

Questions ?

